



# High Precision Variable Speed Centre Lathe

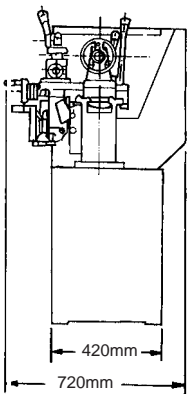
Premium lathes affordably priced



**G-330E / G-360E**

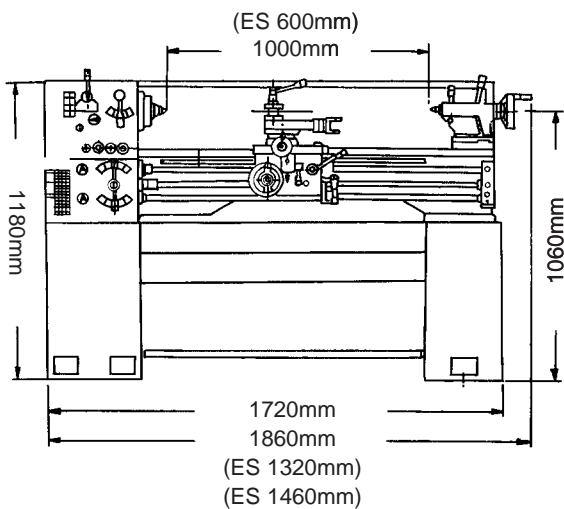
### Optional Extras

- Single toolpost
- Taper turning attachment
- Carriage micro stop
- Live centres MT No 3
- Work lamp
- Drill chuck 13mm (1/2") w/arbor
- 4-position carriage stop
- Milling attachment

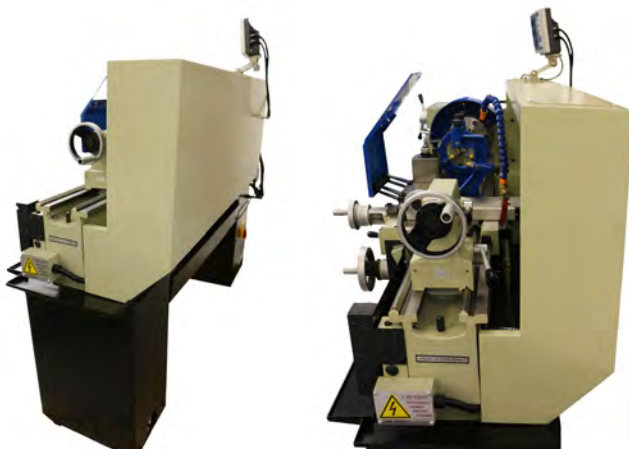


G-330E 'Premium Package'

TURNING



MODEL	G-330E	G-360E
Swing over bed	330mm	360mm
Swing over cross slide	195mm	225mm
Distance between centres	1000mm	1000mm
Swing over gap	490mm	520mm
Width of bed	190mm	190mm
Spindle speeds	(9) 80-2000rpm	(9) 80-2000rpm
Spindle bore	40mm	40mm
Spindle nose	D1 - 4 Camlock	D1 - 4 Camlock
Spindle taper	MT5	MT5
Tailstock taper	MT3	MT3
Tailstock quill travel	110mm	110mm
Cross slide travel	175mm	175mm
Compound rest travel	100mm	100mm
Metric threads	(30) 0.4-7.0mm	(30) 0.4-7.0mm
Module pitches	(32) 0.4-7M	(32) 0.4-7M
Diametral pitches	(34) 4-56P	(34) 4-56P
Inch threads	(32) 4-56TPI	(32) 4-56TPI
Longitudinal feeds	0.068-0.936mm	0.068-0.936mm
Cross feeds	0.034-0.468mm	0.034-0.468mm
Machine weight	600Kg	700Kg



### SHIPPING SPECIFICATION

Model	Gross Weight	Dimensions
G-330ES	580Kg	1420 x 820 x 1280mm
G-330E	600Kg	1820 x 820 x 1280mm
G-360E	700Kg	1820 x 820 x 1280mm